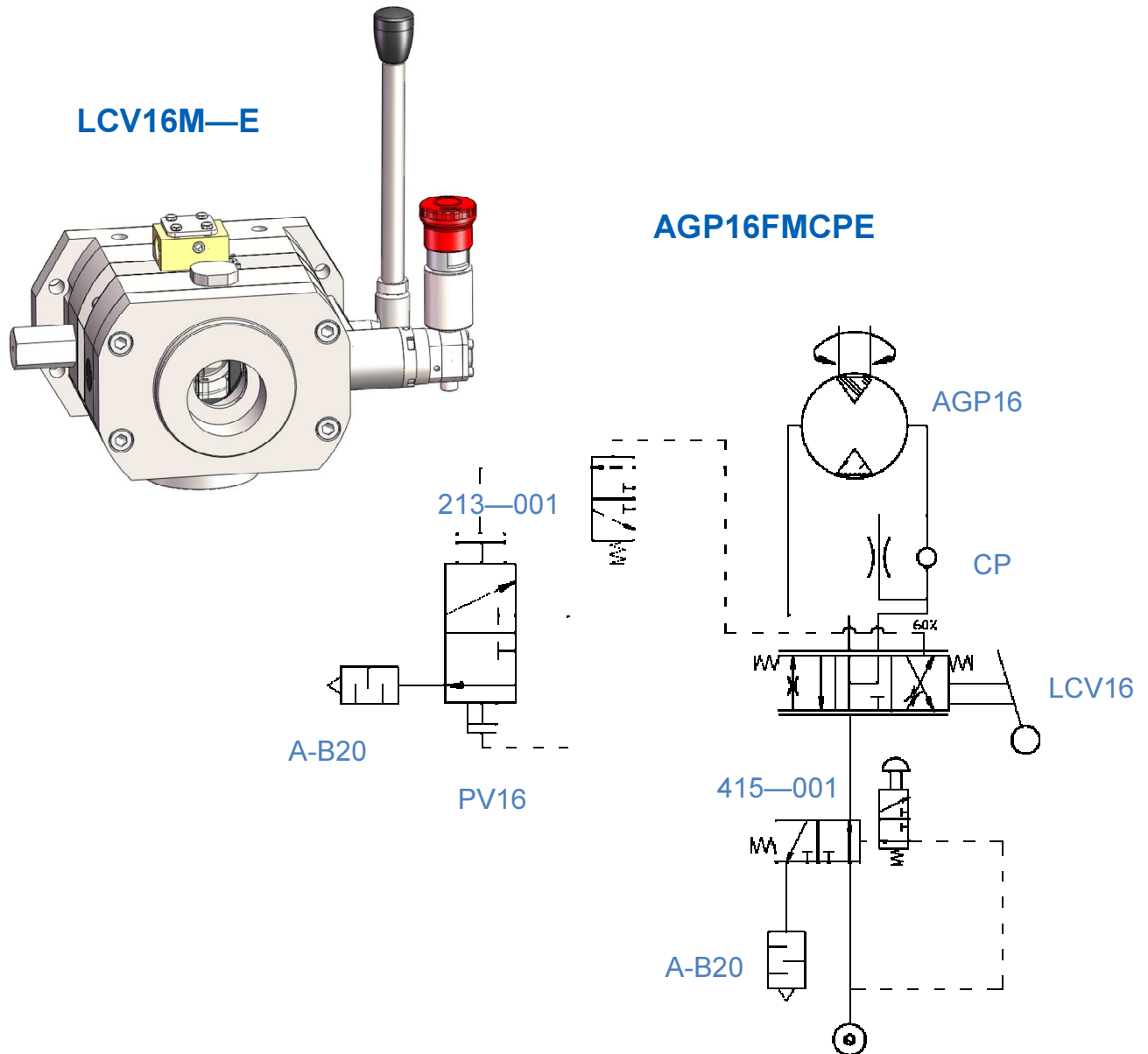


Shut off Valve for AGP07/AGP10/AGP16

To meet with the new EU machineries legislation, emergency valves have been designed to completely close the air feeds to the motor, while at the same time venting the downstream pressure, thereby removing all stored pneumatic energy. The shut—off valve must be used in conjunction with either LCV or RCV proportional valve. The valves must be ordered as an assembly at the order stage. The shut—off valve is available in three types:

- **Style E**— Shut off with integral E-stop— Normally used in conjunction with LCV proportional.

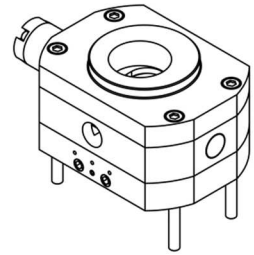
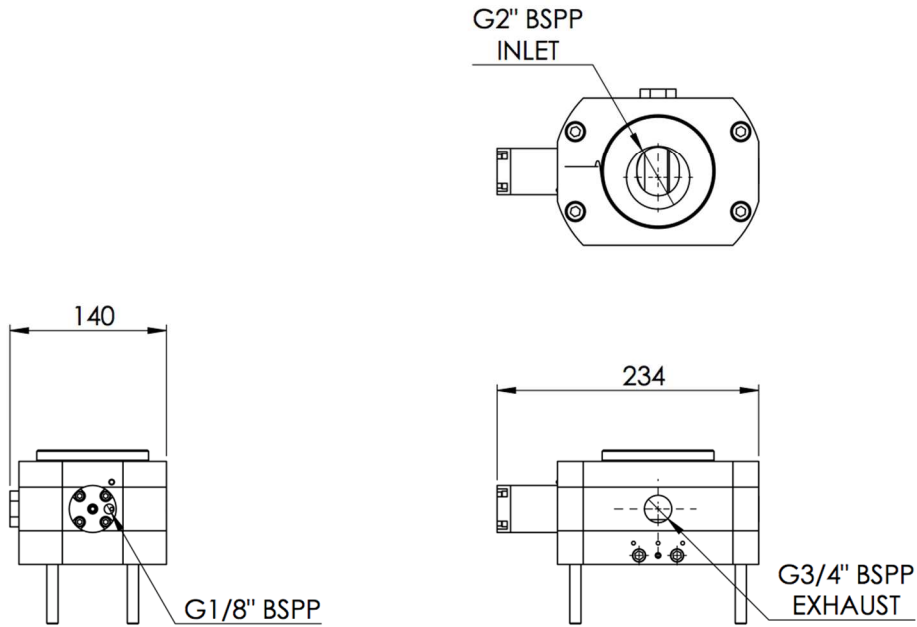


Please note Assembly's can be either RCV or LCV

RMX ACCESSORIES

Shut off Valve for AGP07/AGP10/AGP16

415-026



415-001

