

RMX ACCESSORIES

Shut off Valve for AGP07/AGP10/AGP16

- **Style R**— With the remote stop mounted in conjunction with the pilot lever proportional valve. See accessory 276-050 pilot lever proportional valve for marine environments.

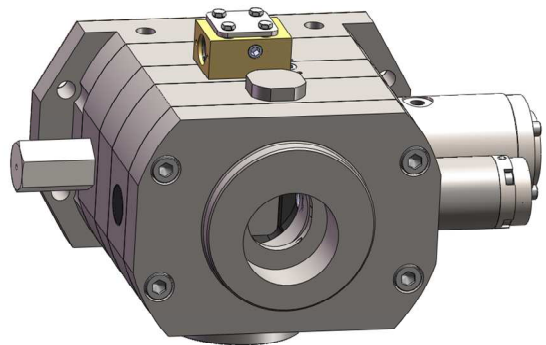
415—022



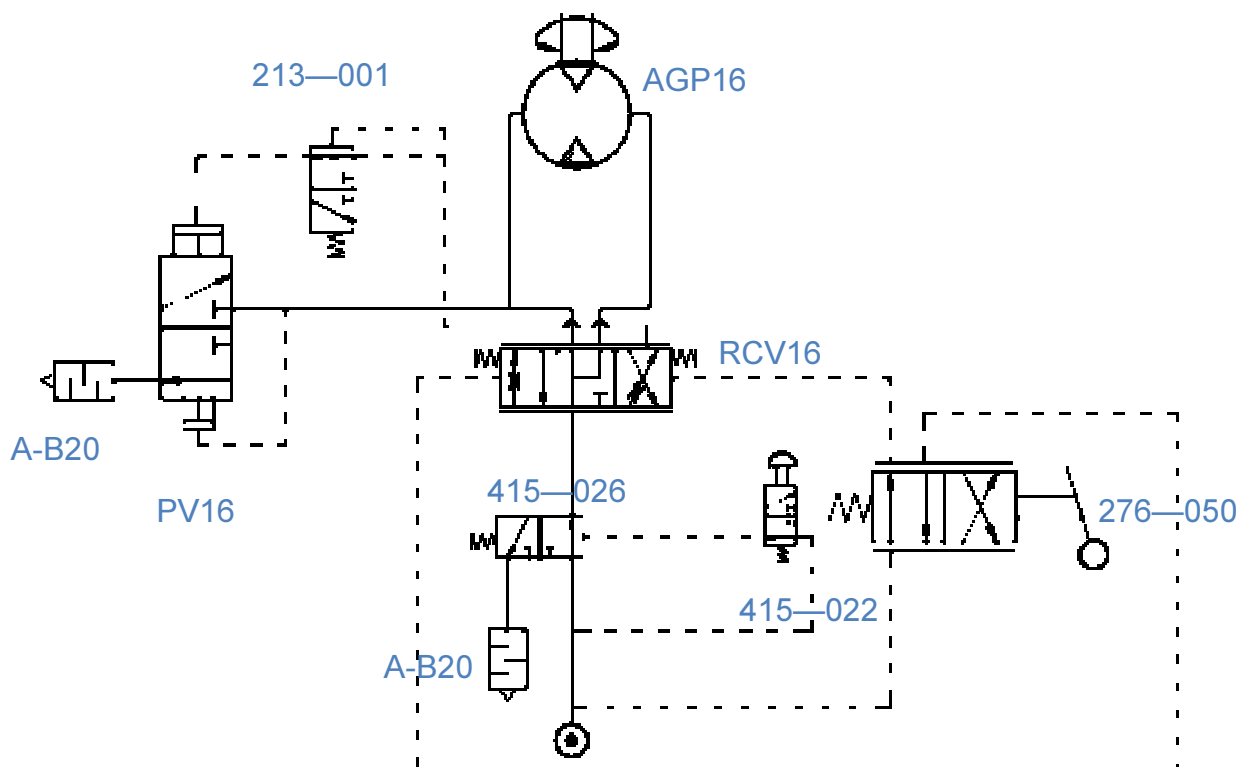
276—050



RCV16S—R



AGP16SR



Please note Assembly's can be either RCV or LCV