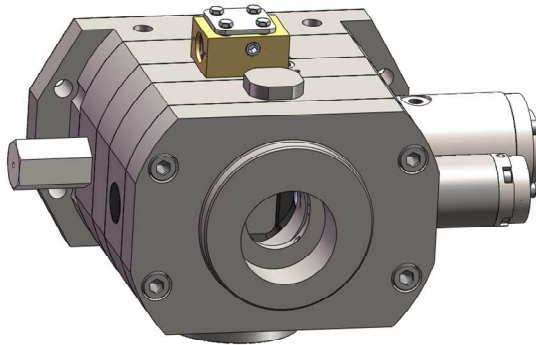


# RMX ACCESSORIES

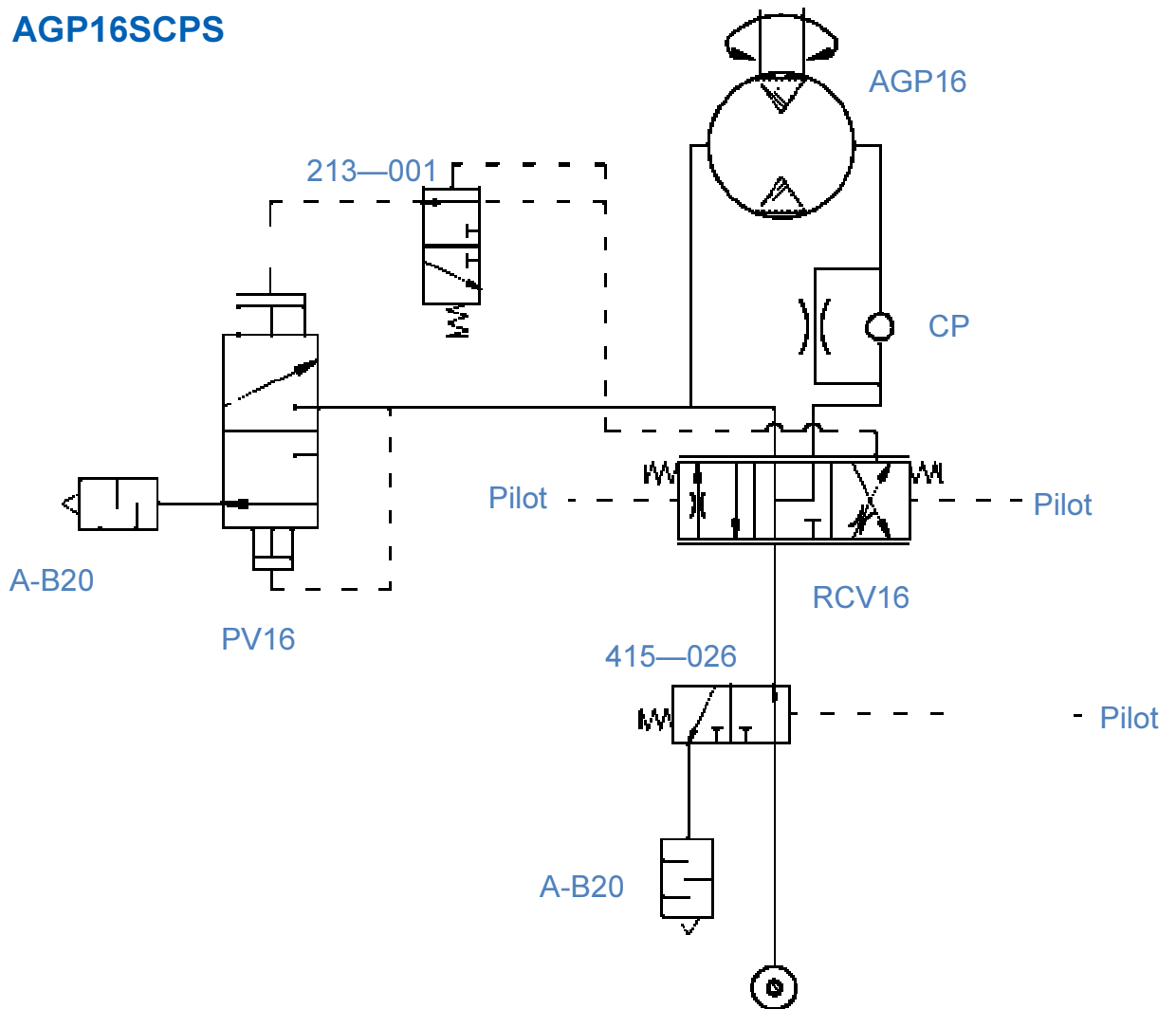
Shut off Valve for AGP07/AGP10/AGP16

- **Style S**— Shut off only— for external circuit actuation or interlock

## RCV16S—S



## AGP16SCPS

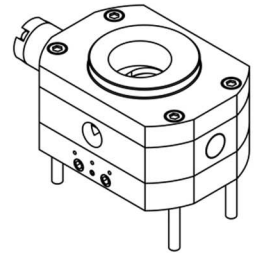
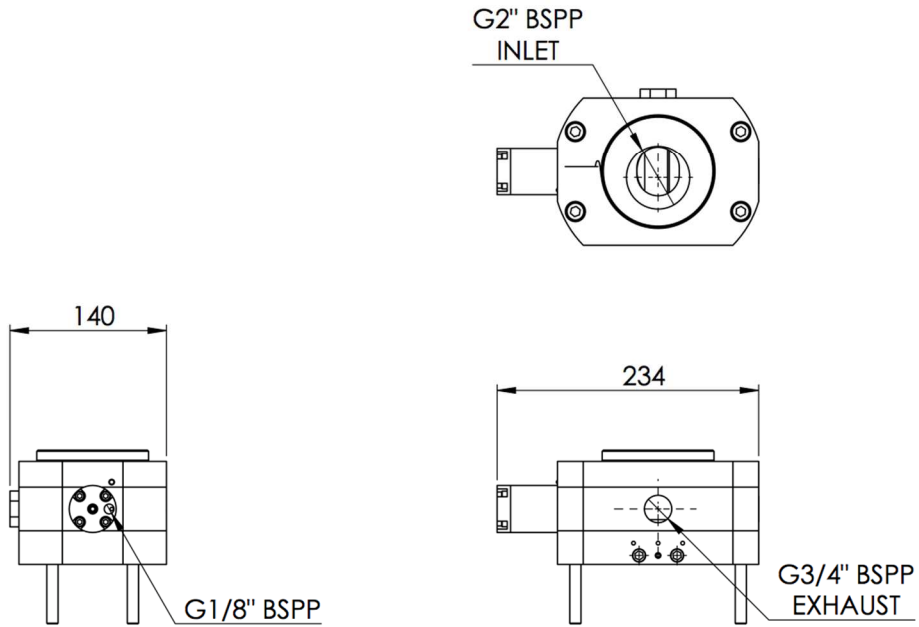


**Please note** Assembly's can be either RCV or LCV

# RMX ACCESSORIES

Shut off Valve for AGP07/AGP10/AGP16

## 415-026



## 415-001

